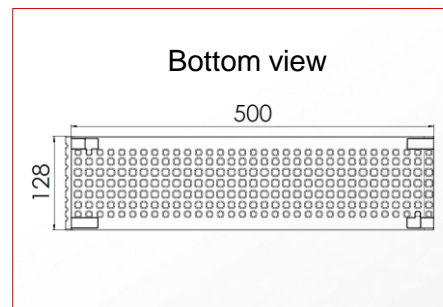
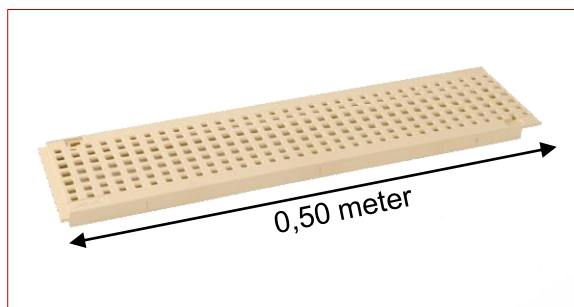
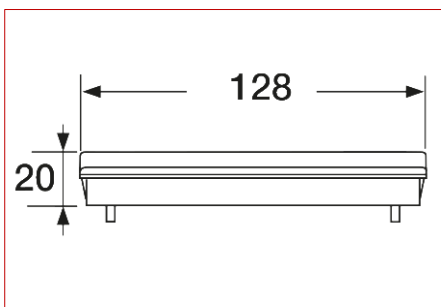


Connecto® I PVC grating for swimming-pool and pedestrians - sand colour - class A15

Code : GR77PS



FUNCTION :

The grating is designed to drain run-off water. In accordance with EN1433 standard and the marking **CE**, it can be used in private areas for all building applications, the environment of home, parks and gardens in class **A15**.

DESCRIPTION :

This grating class A15 is injected in sand PVC with anti-UV treatment.

ACCESSORIES :

This grating can be installed with these types of drainage channel :

- High channel body Connecto width 130 : CAN177 and KCAN177N
- Shallow channel body Connecto width 130 : CAB773, CABS773 and CAB133A

To fix a grating on CAB133A, it's necessary to use one FIXCAB13 (locking system with galvanized screw).

To fix a grating on CAN177, KCAN177N, CAB773 and CABS773, it's necessary to use two FIXCAN (self-tapping screw).

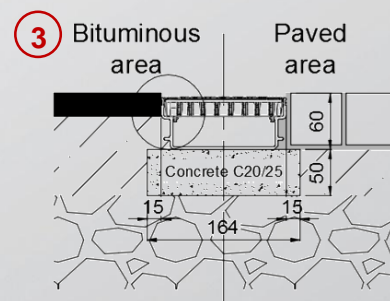
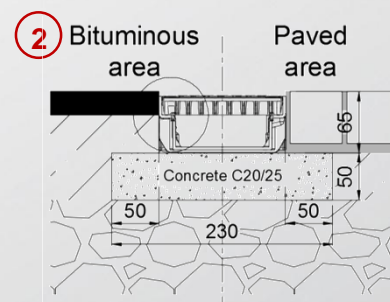
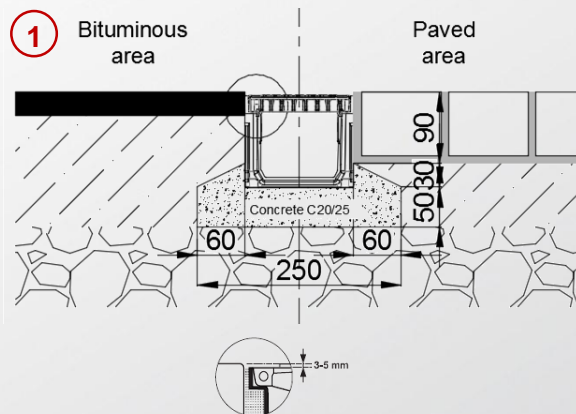


CHARACTERISTICS :

- Resistance class: A15
- Width: 128 mm
- Length: 500 mm
- Overall height: 20 mm
- Grating type: PVC
- Drainage surface: 232 cm²/ml
- Opening dimensions: ≤ 8 mm
- Weight: 0,5 kg

IMPLEMENTATION :

1. See the installation scheme opposite with the channel CAN177 and KCAN177N.
2. See the installation scheme opposite with the channel CAB773 and CABS773.
3. See the installation scheme opposite with the channel CAB133A.
4. If you don't use Connecto channel, please leave a space between gratings to allow a free expansion.



QUALITY - ENVIRONMENT :



DATE : August 2015